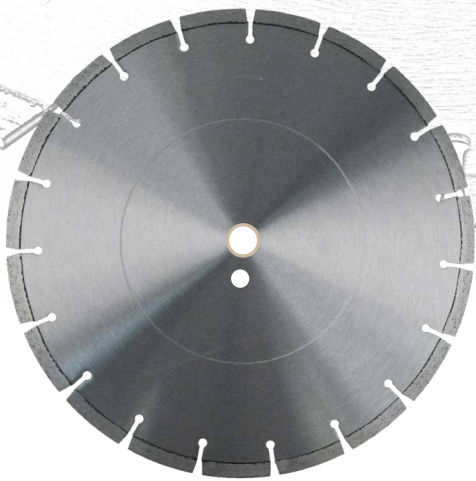


NEW LASER WELDED GENERAL PURPOSE, HARD MASONRY, & ALL-PURPOSE BLADES



SMX30LV BLADE

- Laser welded segments withstand higher heat from demanding applications
- Designed for cutting hard materials such as cured concrete with rebar and masonry applications
- Tall .472" (12mm) segments for longer blade life

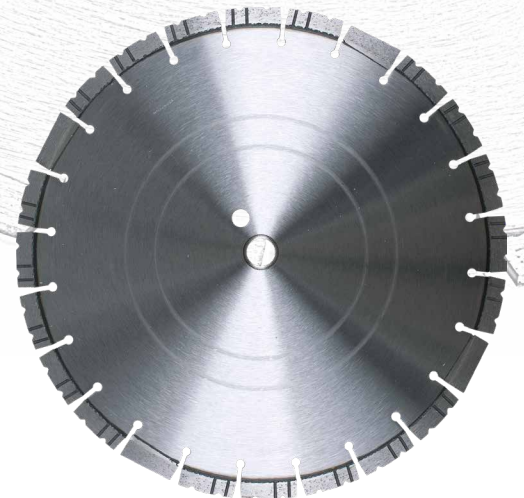
PART #	SIZE
SMX30LV1212B	12" x .125 x 20mm
SMX30LV1212E	12" x .125 x 1/20mm
SMX30LV1412B	14" x .125 x 20mm
SMX30LV1412E	14" x .125 x 1/20mm



SMX10LVR TURBO BLADE

- Softer bond enables faster cutting of old, hard concrete, hard brick/pavers and other hard materials
- Laser welded alternating turbo segments for faster cutting
- Tall .472" (12mm) segments for longer blade life

PART #	SIZE
SMX10LVR1412B	14" x .125 x 20mm
SMX10LVR1412E	14" x .125 x 1/20mm



SMX30V ALL-PURPOSE BLADE

- Unique hybrid notched turbo segments for more aggressive cutting on a wide range of materials
- Equipped with wedge segment undercut protection
- All-purpose blade will cut cured concrete, asphalt, abrasive concrete, green concrete, bricks and concrete block
- Tall .472" (12mm) segments for longer blade life

PART #	SIZE
SMX30V1412B	14" x .125 x 20mm
SMX30V1412E	14" x .125 x 1/20mm

Performance. Competitively Priced

Manufactured in Irvine, California